

PRODUCT LIST



**STEEL
&
PIPES**



EAST RAND (PTY) LTD

YOUR ONE STOP STEEL TUBING AND HARDWARE SHOP

BOKSBURG BRANCH

14B ATLAS ROAD
ANDERBOLT
TEL : 011-918-1644
Email : boksburg@spaeast.co.za

BRAKPAN BRANCH

124 SPRINGS ROAD WEST
VULCANIA EXT 2
TEL : 011-736-9700
Email : sales@spaeast.co.za

www.steelpipe.co.za

SQUARE TUBE



SQUARE TUBE			
SIZE	SIZE	WALL	KG/M
12.70	12.70	1.60	0.58
15.80	15.80	1.60	0.73
		2.00	0.86
19.00	19.00	1.60	0.89
		2.00	1.10
25.40	25.40	1.60	1.21
		2.00	1.50
		2.50	1.82
		3.00	2.16
31.70	31.70	1.60	1.53
		2.00	1.89
		2.50	2.39
		3.00	2.83
38.10	38.10	1.60	1.85
		2.00	2.29
		2.50	2.89
		3.00	3.33
40.00	40.00	1.60	1.94
		2.00	2.41
		2.50	2.99
		3.00	3.55
		4.00	4.57
50.80	50.80	1.60	2.49
		2.00	3.09
		2.50	3.98
		3.00	4.47
		3.50	5.17
		4.00	5.86
		4.50	6.54
60.00	60.00	1.60	2.76
		2.00	3.52
		2.50	4.49
		3.00	5.40
		3.50	6.26
		4.00	7.11
		4.50	7.94
63.50	63.50	1.60	3.09
		2.00	3.84
		2.50	4.77
		3.00	5.69
		3.50	6.71
		4.00	7.50
		4.50	8.37
76.20	76.20	1.60	3.71
		2.00	4.58
		2.50	5.69
		3.00	6.80
		3.50	7.89
		4.00	8.97
		4.50	10.03
		5.00	11.32
		6.00	13.33

SQUARE TUBE			
SIZE	SIZE	WALL	KG/M
101.60	101.60	2.00	6.16
		2.50	7.67
		3.00	9.17
		3.50	10.65
		4.00	12.12
		4.50	13.58
		5.00	15.03
		6.00	17.90
120.00	120.00	3.00	11.05
		4.00	14.64
		4.50	16.41
		5.00	18.18
		6.00	21.16
150.00	150.00	3.00	14.13
		3.50	16.28
		4.00	18.75
		4.50	21.03
		5.00	23.30
		6.00	27.82

NON STANDARD SQUARE TUBE			
SIZE	SIZE	WALL	KG/M
70.00	70.00	2.00	4.29
		2.50	5.33
		3.00	6.36
		3.50	7.37
		4.00	8.38
		4.50	9.37
		5.00	10.34
		6.00	12.27
80.00	80.00	2.00	4.91
		2.50	6.10
		3.00	7.29
		3.50	8.46
		4.00	9.62
		4.50	10.76
		5.00	11.91
		6.00	14.13
		8.00	18.52
90.00	90.00	2.00	5.53
		2.50	6.89
		3.00	8.22
		3.50	9.56
		4.00	10.88
		4.50	12.17
		5.00	12.47
		6.00	16.01
110.00	110.00	3.00	10.11
		3.50	11.76
		4.00	13.39
		4.50	15.00
		5.00	16.61
		6.00	19.78



RECTANGULAR TUBE

RECTANGULAR TUBE			
SIZE	SIZE	WALL	KG/M
160	80	3.00	10.91
		3.50	12.96
		4.00	14.64
		4.50	16.52
		6.00	21.49
200	100	3.00	14.13
		3.50	16.44
		4.00	18.75
		4.50	21.03
		5.00	23.30
		6.00	27.82

NON STANDARD			
80	60	2.00	4.29
		2.50	5.33
		3.00	6.36
		3.50	7.37
		4.00	8.38
90	50	2.00	4.29
		2.50	6.36
		3.00	7.37
		3.50	8.38
		4.00	9.37
90	60	2.00	4.61
		3.00	6.84
		3.50	7.90
		4.00	8.97
		4.50	10.04
100	40	2.00	4.29
		2.50	5.33
		3.00	6.39
		3.50	7.37
		4.00	8.38
100	60	2.00	4.91
		2.50	6.10
		3.00	7.29
		3.50	8.46
		4.00	9.62
100	80	2.00	5.53
		2.50	6.89
		3.00	8.22
		3.50	9.56
		4.00	10.88
120	40	2.00	4.91
		2.50	6.10
		3.00	7.29
		3.50	8.46
		4.00	9.62
127	63.5	2.00	5.53
		2.50	6.89
		3.00	8.21
		3.50	9.56
		4.00	10.88
127	101.6	3.00	10.11
		3.50	11.76
		4.00	13.39
		4.50	15.00
		5.00	16.61
130	50	2.00	5.53
		2.50	6.89
		3.00	8.21
		3.50	9.56
		4.00	10.88
130	80	2.00	5.53
		2.50	6.89
		3.00	8.21
		3.50	9.56
		4.00	10.88
130	100	2.00	5.53
		2.50	6.89
		3.00	8.21
		3.50	9.56
		4.00	10.88
130	120	2.00	5.53
		2.50	6.89
		3.00	8.21
		3.50	9.56
		4.00	10.88
130	150	2.00	5.53
		2.50	6.89
		3.00	8.21
		3.50	9.56
		4.00	10.88

NON STANDARD			
SIZE	SIZE	WALL	KG/M
100	63.5	1.60	3.95
		2.00	4.91
		2.50	6.10
		3.00	7.29
		3.50	8.46
100	80	4.00	9.62
		4.50	10.76
		5.00	11.91
		6.00	14.14
		2.00	5.53
100	80	2.50	6.89
		3.00	8.22
		3.50	9.56
		4.50	12.17
		5.00	13.47
120	40	6.00	16.01
		2.00	4.91
		2.50	6.10
		3.00	7.29
		3.50	8.46
127	63.5	4.00	9.62
		4.50	10.76
		5.00	11.91
		2.00	5.53
		2.50	6.89
127	101.6	3.00	8.21
		3.50	9.56
		4.00	10.88
		4.50	12.17
		5.00	13.47
130	50	6.00	16.01
		3.00	10.11
		3.50	11.76
		4.00	13.39
		4.50	15.00
130	80	5.00	16.61
		6.00	19.78
		2.00	5.53
		2.50	6.89
		3.00	8.21
130	100	3.50	9.56
		4.00	10.88
		4.50	12.17
		5.00	13.47
		6.00	16.01
130	120	6.00	16.01
		6.00	16.01
		6.00	16.01
		6.00	16.01
		6.00	16.01



RECTANGULAR TUBE

NON STANDARD			
SIZE	SIZE	WALL	KG/M
140	80	3.00	10.11
		3.50	11.76
		4.00	13.39
		4.50	15.00
		5.00	16.61
		6.00	19.78
152.4	76.2	3.00	10.11
		3.50	11.76
		4.00	13.39
		4.50	15.00
		5.00	16.61
		6.00	19.78
152.4	114.3	3.00	11.99
		3.50	13.95
		4.00	15.89
		4.50	17.81
		5.00	19.74
		6.00	23.54
152	127	3.00	13.00
		3.50	13.59
		4.00	17.23
		4.50	19.34
		5.00	19.74
		6.00	23.54
160	90	2.00	7.49
		2.50	9.34
		3.00	11.05
		3.50	12.85
		4.00	14.64
		4.50	16.41
		5.00	18.18
		6.00	21.66
		8.00	28.41
165.1	100	3.00	11.99
		3.50	13.59
		4.00	15.89
		4.50	17.81
		5.00	19.74
		6.00	23.54
177.1	88.9	3.00	11.99
		3.50	13.95
		4.00	15.89
		4.50	17.81
		5.00	19.74
		6.00	23.54

NON STANDARD			
SIZE	SIZE	WALL	KG/M
177.7	127	3.00	14.13
		3.50	16.44
		4.00	18.71
		4.50	21.03
		5.00	23.30
		6.00	27.82
		8.00	35.90
		10.00	44.39
180	60	2.00	7.49
		2.50	9.34
		3.00	11.05
		3.50	12.85
		4.00	14.64
		4.50	16.41
		5.00	18.18
		6.00	21.66
190.5	76.2	3.00	11.99
		3.50	13.59
		4.00	15.89
		4.50	17.81
		5.00	19.74
		6.00	23.54
200	150	3.00	15.98
		3.50	18.60
		4.50	23.81
		6.00	31.53
		8.00	41.63
		10.00	51.55
228.6	100	3.50	17.82
		4.50	22.80
		6.00	30.18
228	127	3.00	15.98
		3.50	18.60
		4.50	23.81
		6.00	31.53
		8.00	41.63
		10.00	51.55
228.6	177	4.50	26.58
		6.00	35.21
		8.00	46.56
		10.00	57.70
250	100	3.50	18.60
		4.50	23.81
		6.00	31.53
		8.00	41.63
		10.00	51.55



ROUND TUBE

ROUND TUBE		
SIZE	WALL	KG/M
15.80	1.60	0.56
	2.00	0.68
19.00	1.60	0.69
	2.00	0.84
21.30	1.60	0.78
	2.00	0.95
	2.50	1.16
25.40	1.60	0.94
	2.00	1.15
	2.50	1.41
26.90	1.60	1.00
	2.00	1.23
	2.50	1.50
	2.80	1.68
31.70	3.00	1.77
	1.60	1.19
	2.00	1.47
	2.50	1.82
34.00	3.00	2.12
	1.60	1.28
	2.00	1.56
	2.50	1.94
38.10	3.00	2.29
	1.60	1.44
	2.00	1.78
	2.50	2.19
42.80	3.00	2.79
	4.00	3.36
	1.60	1.64
	2.00	2.01
	2.50	2.48
	2.80	2.79
48.50	3.00	2.94
	3.50	3.42
	4.00	3.79
	1.60	1.85
	2.00	2.29
	2.50	2.83
	2.80	3.19
	3.00	3.36
50.80	3.50	3.92
	4.00	4.37
	4.50	4.91
	1.60	1.94
	2.00	2.41
	2.50	3.09
	2.80	3.35
	3.00	3.53
	3.50	4.08
	4.00	4.62
	4.50	5.17

ROUND TUBE			
SIZE	WALL	KG/M	
57.10	1.60	2.19	
	2.00	2.72	
	2.50	3.09	
	3.00	4.00	
	4.00	5.25	
	60.30	1.60	2.32
	2.00	2.88	
	2.50	3.70	
	2.80	4.01	
	3.00	4.22	
	3.50	4.88	
	4.00	5.55	
	4.50	6.15	
63.50	1.60	2.44	
	2.00	3.03	
	2.50	3.76	
	3.00	4.47	
	3.50	5.17	
	4.00	5.88	
	4.50	6.54	
	73.00	1.60	2.82
	2.50	4.35	
	3.00	5.18	
	3.50	6.00	
	76.20	1.60	2.94
	2.00	3.66	
	2.50	4.53	
	2.80	5.12	
	3.00	5.42	
	3.50	6.26	
	4.00	7.11	
	4.50	7.94	
	5.00	8.78	
	6.00	10.31	
	88.90	2.00	4.29
	2.50	5.33	
	3.00	6.36	
	3.50	7.37	
	4.00	8.38	
	4.50	9.37	
	5.00	10.35	
	6.00	12.17	
	101.60	1.60	3.99
	2.00	4.91	
	2.50	6.10	
	2.80	6.89	
	3.00	7.29	
	3.50	8.46	
	4.00	9.62	
	4.50	10.76	
	5.00	11.91	
	6.00	14.14	



ROUND TUBE

ROUND TUBE		
SIZE	WALL	KG/M
114.30	2.00	5.53
	2.50	6.89
	3.00	8.22
	3.50	9.56
	4.00	10.88
	4.50	12.17
	5.00	13.47
127.00	6.00	16.01
	2.00	6.17
	2.50	7.67
	2.80	8.66
	3.00	9.17
	3.50	10.66
	3.80	11.84
139.70	4.00	12.12
	4.50	13.59
	5.00	15.04
	6.00	17.88
	3.00	10.11
	3.50	11.76
	4.00	13.39
152.40	4.50	15.00
	5.00	16.61
	6.00	19.78
	2.00	7.49
	2.50	9.34
	2.80	10.33
	3.00	11.05
165.10	3.50	12.85
	4.00	14.64
	4.50	16.41
	5.00	18.18
	6.00	21.66
	2.80	11.21
	3.00	11.99
177.80	3.50	13.95
	4.00	15.89
	4.50	17.81
	5.00	19.74
	6.00	23.54
	3.00	13.00
	4.00	17.23
	4.50	19.34
	6.00	25.22

ROUND TUBE		
SIZE	WALL	KG/M
193.70	3.00	14.13
	3.50	16.44
	4.00	18.53
	4.50	21.03
	5.00	23.30
	6.00	27.82
219.10	3.50	18.60
	4.00	21.01
	4.50	23.81
	6.00	31.53

NON STANDARD		
SIZE	WALL	KG/M
204.00	3.00	15.98
	3.50	17.31
	4.50	22.14
244.00	6.00	29.30
	4.50	26.58
	6.00	35.21
273.00	8.00	46.56
	10.00	57.70
	4.50	29.80
	6.00	39.51
324.00	8.00	52.29
	10.00	64.87
	12.70	81.54
	4.50	35.46
356.00	6.00	47.05
	8.00	62.35
	10.00	77.45
	12.70	97.51
406.00	4.50	39.01
	6.00	51.79
	8.00	68.67
	10.00	85.34
457.00	12.70	107.54
	4.50	44.56
	6.00	59.20
	8.00	78.53
	10.00	97.65
	12.70	123.20
	4.50	50.22
	6.00	66.74
	8.00	88.60
	10.00	110.25
	12.70	139.17

LIPPED CHANNEL



LIPPED CHANNEL

DESCRIPTION			THICKNESS		
SIZE	SIZE	SIZE	2.0 mm	2.5 mm	3.0 mm
75	50	20	3.13	3.83	4.50
100	50	20	3.52	4.32	5.09
100	75	20	4.31	5.31	6.27
125	50	20	3.91	4.81	5.68
125	65	20	4.39	5.40	6.39
125	75	20	4.70	5.80	6.86
150	50	20	4.31	5.31	6.27
150	65	20	4.78	5.90	6.98
150	75	20	5.09	6.29	7.45
175	50	20	4.70	5.80	6.86
175	65	20	5.17	6.39	7.57
175	75	20	5.49	6.78	8.04
200	50	20	5.09	6.29	7.45
200	65	20	5.56	6.88	8.16
200	75	20	5.88	7.27	8.63
225	50	20	5.49	6.78	8.04
225	65	20	5.96	7.37	8.75
225	75	20	6.27	7.76	9.22
250	50	20	5.88	7.27	8.63
250	65	20	6.35	7.86	9.34
250	75	20	6.67	8.25	9.81
275	50	20	6.27	7.76	9.22
275	65	20	6.74	8.35	9.93
275	75	20	7.06	8.74	10.40
300	50	20	6.67	8.25	9.81
300	65	20	7.14	8.84	10.52
300	75	20	7.45	9.24	10.99



SECTIONS

DESCRIPTION	DIMENSIONS				Kg /m	Lengths			
Mild Steel Flat Bar	12	x	3		0.29	X			
Mild Steel Flat Bar	16	x	3		0.39	X			
Mild Steel Flat Bar	20	x	3		0.48	X			
Mild Steel Flat Bar	20	x	5		0.79	X			
Mild Steel Flat Bar	20	x	6		0.94	X			
Mild Steel Flat Bar	20	x	8		1.26	X			
Mild Steel Flat Bar	20	x	10		1.57	X			
Mild Steel Flat Bar	25	x	3		0.60	X			
Mild Steel Flat Bar	25	x	5		0.98	X			
Mild Steel Flat Bar	25	x	6		1.18	X			
Mild Steel Flat Bar	25	x	8		1.57	X			
Mild Steel Flat Bar	25	x	10		1.96	X			
Mild Steel Flat Bar	25	x	12		2.36	*	X		
Mild Steel Flat Bar	30	x	3		0.72	X			
Mild Steel Flat Bar	30	x	5		1.18	X			
Mild Steel Flat Bar	30	x	6		1.41	X			
Mild Steel Flat Bar	30	x	8		1.88	X			
Mild Steel Flat Bar	30	x	10		2.36	X			
Mild Steel Flat Bar	30	x	12		2.83	*	X		
Mild Steel Flat Bar	35	x	5		1.37	X			
Mild Steel Flat Bar	40	x	3		0.97	X			
Mild Steel Flat Bar	40	x	4.5		1.41	X			
Mild Steel Flat Bar	40	x	5		1.57	X			
Mild Steel Flat Bar	40	x	6		1.88	X			
Mild Steel Flat Bar	40	x	8		2.51	X			
Mild Steel Flat Bar	40	x	10		3.14	X			
Mild Steel Flat Bar	40	x	12		3.77	X			
Mild Steel Flat Bar	40	x	16		5.02	X			
Mild Steel Flat Bar	40	x	20		6.28	X			
Mild Steel Flat Bar	40	x	25		7.85	X			
Mild Steel Flat Bar	47.6	x	5		1.87	X			
Mild Steel Flat Bar	50	x	3		1.21	X			
Mild Steel Flat Bar	50	x	5		1.96	X			
Mild Steel Flat Bar	50	x	6		2.36	X			
Mild Steel Flat Bar	50	x	8		3.14	X			
Mild Steel Flat Bar	50	x	10		3.93	X			
Mild Steel Flat Bar	50	x	12		4.71	X			
Mild Steel Flat Bar	50	x	16		6.28	X			
Mild Steel Flat Bar	50	x	20		7.85	X			
Mild Steel Flat Bar	50	x	25		9.81	X			
Mild Steel Flat Bar	60	x	6		2.83	X			
Mild Steel Flat Bar	60	x	8		3.77	X			
Mild Steel Flat Bar	60	x	10		4.71	X			
Mild Steel Flat Bar	60	x	12		5.65	X			
Mild Steel Flat Bar	60	x	16		7.54	X			
Mild Steel Flat Bar	60	x	20		9.42	X			
Mild Steel Flat Bar	65	x	6		3.06	X			
Mild Steel Flat Bar	65	x	8		4.08	X			
Mild Steel Flat Bar	65	x	10		5.10	X			
Mild Steel Flat Bar	65	x	12		6.12	X			
Mild Steel Flat Bar	70	x	6		3.30	X			
Mild Steel Flat Bar	70	x	8		4.40	X			

SECTIONS



DESCRIPTION	DIMENSIONS				Kg /m	Lengths			
Mild Steel Flat Bar	70	x	10		5.50		X		
Mild Steel Flat Bar	70	x	12		6.59		X		
Mild Steel Flat Bar	70	x	16		8.79		X		
Mild Steel Flat Bar	70	x	20		10.99	*	X		
Mild Steel Flat Bar	80	x	6		3.77		X		
Mild Steel Flat Bar	80	x	8		5.02		X		
Mild Steel Flat Bar	80	x	10		6.28		X		
Mild Steel Flat Bar	80	x	12		7.54		X		
Mild Steel Flat Bar	80	x	16		10.05		X		
Mild Steel Flat Bar	80	x	20		12.56		X		
Mild Steel Flat Bar	80	x	25		15.70		X		
Mild Steel Flat Bar	80	x	40		25.12		X		
Mild Steel Flat Bar	90	x	6		4.24		X		
Mild Steel Flat Bar	90	x	8		5.65		X		
Mild Steel Flat Bar	90	x	10		7.07		X		
Mild Steel Flat Bar	90	x	12		8.48		X		
Mild Steel Flat Bar	90	x	25		17.66		X		
BS EN10025-2-S355 JR Flat Bar	100	x	6		4.71		X		
BS EN10025-2-S355 JR Flat Bar	100	x	8		6.28		X		
BS EN10025-2-S355 JR Flat Bar	100	x	10		7.85		X		
BS EN10025-2-S355 JR Flat Bar	100	x	12		9.42		X		
BS EN10025-2-S355 JR Flat Bar	100	x	16		12.56		X		
BS EN10025-2-S355 JR Flat Bar	100	x	20		15.70		X		
BS EN10025-2-S355 JR Flat Bar	100	x	25		19.63		X		
BS EN10025-2-S355 JR Flat Bar	100	x	30		23.55		X		
BS EN10025-2-S355 JR Flat Bar	100	x	40		31.40		X		
BS EN10025-2-S355 JR Flat Bar	100	x	50		39.25	*	X		
BS EN10025-2-S355 JR Flat Bar	110	x	6		5.18		X		
BS EN10025-2-S355 JR Flat Bar	110	x	10		8.64		X		
BS EN10025-2-S355 JR Flat Bar	110	x	12		10.36		X		
BS EN10025-2-S355 JR Flat Bar	130	x	8		8.16		X		
BS EN10025-2-S355 JR Flat Bar	130	x	10		10.21		X		
BS EN10025-2-S355 JR Flat Bar	130	x	12		12.25		X		
BS EN10025-2-S355 JR Flat Bar	130	x	16		16.33		X		
BS EN10025-2-S355 JR Flat Bar	130	x	20		20.41		X		
BS EN10025-2-S355 JR Flat Bar	130	x	25		25.51		X		
BS EN10025-2-S355 JR Flat Bar	150	x	8		9.42		X		
BS EN10025-2-S355 JR Flat Bar	150	x	10		11.78		X		
BS EN10025-2-S355 JR Flat Bar	150	x	12		14.13		X		
BS EN10025-2-S355 JR Flat Bar	150	x	16		18.84		X		
BS EN10025-2-S355 JR Flat Bar	150	x	20		23.55		X		
BS EN10025-2-S355 JR Flat Bar	150	x	25		29.44		X		
BS EN10025-2-S355 JR Flat Bar	180	x	10		14.13			X	
BS EN10025-2-S355 JR Flat Bar	180	x	12		16.96	*		X	
BS EN10025-2-S355 JR Flat Bar	180	x	16		22.61	*		X	
BS EN10025-2-S355 JR Flat Bar	180	x	20		28.26	*			X
BS EN10025-2-S355 JR Flat Bar	180	x	25		35.33	*			
BS EN10025-2-S355 JR Flat Bar	200	x	10		15.70			X	
BS EN10025-2-S355 JR Flat Bar	200	x	12		18.84			X	
BS EN10025-2-S355 JR Flat Bar	200	x	16		25.12			X	X
BS EN10025-2-S355 JR Flat Bar	200	x	20		31.40			X	X
BS EN10025-2-S355 JR Flat Bar	200	x	25		39.25			X	

SECTIONS



DESCRIPTION	DIMENSIONS					Kg /m	Lengths			
BS EN10025-2-S355 JR Flat Bar	250	x	10			19.60		X		
BS EN10025-2-S355 JR Flat Bar	250	x	12			23.60		X		
BS EN10025-2-S355 JR Flat Bar	250	x	16			31.40		X		X
BS EN10025-2-S355 JR Flat Bar	250	x	20			39.25		X		X
BS EN10025-2-S355 JR Flat Bar	250	x	25			49.06				X
BS EN10025-2-S355 JR Flat Bar	250	x	30			58.88	*			X
BS EN10025-2-S355 JR Flat Bar	300	x	10			23.60		X		
BS EN10025-2-S355 JR Flat Bar	300	x	12			28.30		X		
55C Flat Bar	100	x	12			9.42				X
55C Flat Bar	100	x	16			12.56				X
55C Flat Bar	100	x	20			15.70				X
55C Flat Bar	130	x	12			12.25				X
55C Flat Bar	130	x	16			16.33				X
55C Flat Bar	130	x	20			20.41				X
Mild Steel Angles	25	x	25	x	2.0	0.77	*	X		
Mild Steel Angles	25	x	25	x	2.5	0.95	*	X		
Mild Steel Angles	25	x	25	x	3	1.11		X		
Mild Steel Angles	25	x	25	x	5	1.77		X		
Mild Steel Angles	30	x	30	x	2.0	0.95	*	X		
Mild Steel Angles	30	x	30	x	2.5	1.17	*X			
Mild Steel Angles	30	x	30	x	3	1.36		X		
Mild Steel Angles	30	x	30	x	5	2.18		X		
Mild Steel Angles	40	x	40	x	2.0	1.29	*	X		
Mild Steel Angles	40	x	40	x	2.5	1.58	*	X		
Mild Steel Angles	40	x	40	x	3	1.87		X	X	X
Mild Steel Angles	40	x	40	x	4	2.42				X
Mild Steel Angles	40	x	40	x	5	2.97		X		X
Mild Steel Angles	40	x	40	x	6	3.52		X		
Mild Steel Angles	45	x	45	x	3	2.13		X		X
Mild Steel Angles	45	x	45	x	4	2.74	*			
Mild Steel Angles	45	x	45	x	5	3.38		X		X
BS EN10025-2-S355 JR Angles	50	x	50	x	3	2.37		X		X
BS EN10025-2-S355 JR Angles	50	x	50	x	4	3.06				X
BS EN10025-2-S355 JR Angles	50	x	50	x	5	3.77		X	X	X
BS EN10025-2-S355 JR Angles	50	x	50	x	6	4.47		X	X	X
BS EN10025-2-S355 JR Angles	50	x	50	x	8	5.82		X		X
BS EN10025-2-S355 JR Angles	60	x	60	x	4	3.70				X
BS EN10025-2-S355 JR Angles	60	x	60	x	5	4.57		X	X	X
BS EN10025-2-S355 JR Angles	60	x	60	x	6	5.42		X	X	X
BS EN10025-2-S355 JR Angles	60	x	60	x	8	7.09		X	X	X
BS EN10025-2-S355 JR Angles	60	x	60	x	10	8.69		X		
BS EN10025-2-S355 JR Angles	70	x	70	x	6	6.38		X	X	X
BS EN10025-2-S355 JR Angles	70	x	70	x	8	8.36		X	X	X
BS EN10025-2-S355 JR Angles	70	x	70	x	10	10.27		X		X
BS EN10025-2-S355 JR Angles	80	x	80	x	6	7.34		X	X	X
BS EN10025-2-S355 JR Angles	80	x	80	x	8	9.63		X	X	X
BS EN10025-2-S355 JR Angles	80	x	80	x	10	11.86		X	X	X
BS EN10025-2-S355 JR Angles	80	x	80	x	12	14.03				X
BS EN10025-2-S355 JR Angles	90	x	90	x	6	8.30			X	X
BS EN10025-2-S355 JR Angles	90	x	90	x	8	10.90		X	X	X
BS EN10025-2-S355 JR Angles	90	x	90	x	10	13.45			X	X
BS EN10025-2-S355 JR Angles	90	x	90	x	12	15.93				X

SECTIONS



DESCRIPTION	DIMENSIONS						Kg /m	Lengths			
BS EN10025-2-S355 JR Angles	100	x	100	x	8	12.18		X	X	X	X
BS EN10025-2-S355 JR Angles	100	x	100	x	10	15.04		X	X	X	X
BS EN10025-2-S355 JR Angles	100	x	100	x	12	17.83			X		X
BS EN10025-2-S355 JR Angles	120	x	120	x	8	14.71			X	X	X
BS EN10025-2-S355 JR Angles	120	x	120	x	10	18.20			X	X	X
BS EN10025-2-S355 JR Angles	120	x	120	x	12	21.62			X		X
BS EN10025-2-S355 JR Angles	120	x	120	x	15	26.64					X
BS EN10025-2-S355 JR Angles	150	x	150	x	10	22.98			X		X
BS EN10025-2-S355 JR Angles	150	x	150	x	12	27.35			X		X
BS EN10025-2-S355 JR Angles	150	x	150	x	15	33.77		X	X		X
BS EN10025-2-S355 JR Angles	150	x	150	x	18	40.06					X
BS EN10025-2-S355 JR Angles	200	x	200	x	16	48.50			X	X	X
BS EN10025-2-S355 JR Angles	200	x	200	x	18	54.20					X
BS EN10025-2-S355 JR Angles	200	x	200	x	20	59.90					X
BS EN10025-2-S355 JR Unequal Angles	65	x	50	x	6	5.16			X		X
BS EN10025-2-S355 JR Unequal Angles	65	x	50	x	8	6.75					X
BS EN10025-2-S355 JR Unequal Angles	75	x	50	x	6	5.65		X	X		X
BS EN10025-2-S355 JR Unequal Angles	75	x	50	x	8	7.39			X		X
BS EN10025-2-S355 JR Unequal Angles	80	x	60	x	6	6.37			X		X
BS EN10025-2-S355 JR Unequal Angles	80	x	60	x	8	8.34			X		X
BS EN10025-2-S355 JR Unequal Angles	90	x	65	x	6	7.07			X		X
BS EN10025-2-S355 JR Unequal Angles	90	x	65	x	8	9.29			X		X
BS EN10025-2-S355 JR Unequal Angles	90	x	65	x	10	11.40					X
BS EN10025-2-S355 JR Unequal Angles	100	x	65	x	8	9.94			X		X
BS EN10025-2-S355 JR Unequal Angles	100	x	65	x	10	12.30					X
BS EN10025-2-S355 JR Unequal Angles	100	x	75	x	6	8.04			X	X	X
BS EN10025-2-S355 JR Unequal Angles	100	x	75	x	8	10.57			X	X	X
BS EN10025-2-S355 JR Unequal Angles	100	x	75	x	10	13.04			X		X
BS EN10025-2-S355 JR Unequal Angles	100	x	75	x	12	15.44	*				
BS EN10025-2-S355 JR Unequal Angles	125	x	75	x	8	12.16			X	X	X
BS EN10025-2-S355 JR Unequal Angles	125	x	75	x	10	15.02			X		X
BS EN10025-2-S355 JR Unequal Angles	125	x	75	x	12	17.81					X
BS EN10025-2-S355 JR Unequal Angles	150	x	75	x	10	16.98			X		X
BS EN10025-2-S355 JR Unequal Angles	150	x	75	x	12	20.17					X
BS EN10025-2-S355 JR Unequal Angles	150	x	75	x	15	24.83	*				
BS EN10025-2-S355 JR Unequal Angles	150	x	90	x	10	18.18			X	X	X
BS EN10025-2-S355 JR Unequal Angles	150	x	90	x	12	21.60					X
BS EN10025-2-S355 JR Unequal Angles	150	x	90	x	15	26.62					X
MILD STEEL CHANNELS (Supalite)	100	x	50			8.88		X		X	X
BS EN10025-2-S355 JR Channels (Light)	76	x	38			5.70	*\$	X	X		X
BS EN10025-2-S355 JR Channels	57	x	51			6.84		X			
BS EN10025-2-S355 JR Channels	76	x	38			6.70		X	X		X
BS EN10025-2-S355 JR Channels	100	x	50			10.73		X	X		X
BS EN10025-2-S355 JR Channels	120	x	55			13.55		X	X	X	X
BS EN10025-2-S355 JR Channels	127	x	64			14.93		X	X		X
BS EN10025-2-S355 JR Channels	140	x	60			16.22		X	X	X	X
BS EN10025-2-S355 JR Channels	152	x	76			17.91		X	X	X	X
BS EN10025-2-S355 JR Channels	160	x	65			19.12		X	X	X	X
BS EN10025-2-S355 JR Channels	178	x	54			14.55		X	X	X	X
BS EN10025-2-S355 JR Channels	180	x	70			22.27		X	X		X
BS EN10025-2-S355 JR Channels	200	x	75			25.30			X	X	X
BS EN10025-2-S355 JR Channels	200	x	75			25.30	&				for 6 m length only

SECTIONS



DESCRIPTION	DIMENSIONS				Kg /m	Lengths				
BS EN10025-2-S355 JR Parallel Flange Channels	100	x	50		10.10		X	X	X	X
BS EN10025-2-S355 JR Parallel Flange Channels	180	x	70		21.07			X	X	X
BS EN10025-2-S355 JR Parallel Flange Channels	200	x	75		24.29		X	X	X	X
BS EN10025-2-S355 JR Parallel Flange Channels	230	x	90		32.20			X	X	X
BS EN10025-2-S355 JR Parallel Flange Channels	260	x	90		34.80			X	X	X
BS EN10025-2-S355 JR Parallel Flange Channels	300	x	100		45.40			X	X	X
BS EN10025-2-S355 JR Parallel Flange Channels	300	x	100		45.40	&	for 6 m length only			
BS EN10025-2-S355 JR Joist	203	x	152		52.30			X		X
BS EN10025-2-S355 JR Joist	203	x	152		52.30	&	for 6 m length only			
BS EN10025-2-S355 JR IPE Section	100	x	55		8.10			X		X
BS EN10025-2-S355 JR IPE Section	120	x	64		10.37			X	X	X
BS EN10025-2-S355 JR IPE Section	140	x	73		12.89			X		X
BS EN10025-2-S355 JR IPE Section	160	x	82		15.77			X	X	X
BS EN10025-2-S355 JR IPE Section	180	x	91		18.80			X	X	X
BS EN10025-2-S355 JR IPE Section	200	x	100		22.36			X	X	X
BS EN10025-2-S355 JR IPE (AA) Section	100	x	55		6.72			X	X	X
BS EN10025-2-S355 JR IPE (AA) Section	120	x	64		8.36			X		X
BS EN10025-2-S355 JR IPE (AA) Section	140	x	73		10.05			X	X	X
BS EN10025-2-S355 JR IPE (AA) Section	160	x	82		12.32			X	X	X
BS EN10025-2-S355 JR IPE (AA) Section	180	x	91		14.94			X	X	X
BS EN10025-2-S355 JR IPE (AA) Section	200	x	100		17.95			X	X	X
BS EN10025-2-S355 JR Columns	152	x	152		23.00			X	X	X
BS EN10025-2-S355 JR Columns	152	x	152		23.00	&	for 6 m length only			
BS EN10025-2-S355 JR Columns	152	x	152		30.00			X	X	X
BS EN10025-2-S355 JR Columns	152	x	152		37.00			X	X	X
BS EN10025-2-S355 JR Columns	203	x	203		46.10			X	X	X
BS EN10025-2-S355 JR Columns	203	x	203		46.10		for 6 m length only			
BS EN10025-2-S355 JR Columns	203	x	203		52.00			X	X	X
BS EN10025-2-S355 JR Columns	203	x	203		60.00			X		X
BS EN10025-2-S355 JR Columns	203	x	203		71.00					X
BS EN10025-2-S355 JR Columns	203	x	203		86.10					X
BS EN10025-2-S355 JR Columns	254	x	254		73.10			X	X	X
BS EN10025-2-S355 JR Columns	254	x	254		88.90			X	X	X
BS EN10025-2-S355 JR Columns	254	x	254		107.10					X
BS EN10025-2-S355 JR Columns	254	x	254		132.00					X
BS EN10025-2-S355 JR Columns	254	x	254		167.10	*				X
BS EN10025-2-S355 JR Columns	305	x	305		96.90			X	X	X
BS EN10025-2-S355 JR Columns	305	x	305		117.90			X		X
BS EN10025-2-S355 JR Columns	305	x	305		136.90				X	X
BS EN10025-2-S355 JR Columns	305	x	305		158.10			X	X	X
BS EN10025-2-S355 JR Columns	305	x	305		198.10	*			X	
BS EN10025-2-S355 JR Columns	305	x	305		240.00	*			X	X
BS EN10025-2-S355 JR Beams	203	x	133		25.10			X	X	X
BS EN10025-2-S355 JR Beams	203	x	133		25.10	&	for 6 m length only			
BS EN10025-2-S355 JR Beams	203	x	133		30.00			X	X	X
BS EN10025-2-S355 JR Beams	254	x	146		31.10			X	X	X
BS EN10025-2-S355 JR Beams	254	x	146		31.10	&	for 6 m length only			
BS EN10025-2-S355 JR Beams	254	x	146		37.00			X	X	X
BS EN10025-2-S355 JR Beams	254	x	146		43.00			X	X	X
BS EN10025-2-S355 JR Beams	305	x	102		24.80			X	X	X
BS EN10025-2-S355 JR Beams	305	x	102		28.20			X	X	X
BS EN10025-2-S355 JR Beams	305	x	102		32.80			X	X	X

SECTIONS



DESCRIPTION	DIMENSIONS				Kg /m		Lengths			
BS EN10025-2-S355 JR Beams	305	x	102		32.80	*	for 6 m length only			
BS EN10025-2-S355 JR Beams	305	x	165		40.30		X	X	X	
BS EN10025-2-S355 JR Beams	305	x	165		40.30	*	for 6 m length only			
BS EN10025-2-S355 JR Beams	305	x	165		46.10		X	X	X	
BS EN10025-2-S355 JR Beams	305	x	165		54.00		X	X	X	
BS EN10025-2-S355 JR Beams	356	x	171		45.00		X	X	X	
BS EN10025-2-S355 JR Beams	356	x	171		51.00		X	X	X	
BS EN10025-2-S355 JR Beams	356	x	171		57.00		X	X	X	
BS EN10025-2-S355 JR Beams	356	x	171		67.10		X		X	
BS EN10025-2-S355 JR Beams	406	x	140		39.00		X	X	X	
BS EN10025-2-S355 JR Beams	406	x	140		39.00	*	for 6 m length only			
BS EN10025-2-S355 JR Beams	406	x	140		46.00		X	X	X	
BS EN10025-2-S355 JR Beams	406	x	140		46.00	*	for 6 m length only			
BS EN10025-2-S355 JR Beams	406	x	178		54.10		X	X	X	
BS EN10025-2-S355 JR Beams	406	x	178		54.10	*	for 6 m length only			
BS EN10025-2-S355 JR Beams	406	x	178		60.10		X	X	X	
BS EN10025-2-S355 JR Beams	406	x	178		67.10		X	X	X	
BS EN10025-2-S355 JR Beams	406	x	178		74.20		X		X	
BS EN10025-2-S355 JR Beams	457	x	191		67.10		X	X	X	
BS EN10025-2-S355 JR Beams	457	x	191		74.30		X	X	X	
BS EN10025-2-S355 JR Beams	457	x	191		82.00		X		X	
BS EN10025-2-S355 JR Beams	457	x	191		89.30			X	X	
BS EN10025-2-S355 JR Beams	457	x	191		98.30			X	X	
BS EN10025-2-S355 JR Beams	533	x	210		82.20		X	X	X	
BS EN10025-2-S355 JR Beams	533	x	210		82.20	*	for 6 m length only			
BS EN10025-2-S355 JR Beams	533	x	210		92.10		X	X	X	
BS EN10025-2-S355 JR Beams	533	x	210		101.00				X	
BS EN10025-2-S355 JR Beams	533	x	210		101.00	*	for 6 m length only			
BS EN10025-2-S355 JR Beams	533	x	210		109.00			X	X	
BS EN10025-2-S355 JR Beams	533	x	210		122.00		X		X	
Mild Steel Round Bar	6.0				0.22		X			
Mild Steel Round Bar	8.0				0.40		X			
Mild Steel Round Bar	10				0.62		X			
Mild Steel Round Bar	12				0.89		X			
Mild Steel Round Bar	14				1.21	*				
Mild Steel Round Bar	16				1.58		X			
Mild Steel Round Bar	20				2.47		X			
Mild Steel Round Bar	22				2.98	*	X			
Mild Steel Round Bar	24				3.55		X			
Mild Steel Round Bar	25				3.85		X			
Mild Steel Round Bar	27				4.50	*	X			
Mild Steel Round Bar	32				6.31		X			
Mild Steel Round Bar	35				7.55		X			
Mild Steel Round Bar	36				7.99	*	X			
Mild Steel Round Bar	38				8.90	*	X			
Mild Steel Round Bar	40				9.87		X			
BS EN10025-2-S355 JR Round Bar	30				5.55	*	X			
BS EN10025-2-S355 JR Round Bar	36				7.99		X			
BS EN10025-2-S355 JR Round Bar	40				9.87	\$*	X			
BS EN10025-2-S355 JR Round Bar	45				12.49		X			
BS EN10025-2-S355 JR Round Bar	50				15.41		X			
BS EN10025-2-S355 JR Round Bar	55				18.65	*				

SECTIONS



DESCRIPTION	DIMENSIONS				Kg /m	Lengths			
BS EN10025-2-S355 JR Round Bar	60				22.20		X		
BS EN10025-2-S355 JR Round Bar	65				26.05		X		
BS EN10025-2-S355 JR Round Bar	70				30.21	*			
BS EN10025-2-S355 JR Round Bar	75				34.68	*			
BS EN10025-2-S355 JR Round Bar	80				39.46	*			
BS EN10025-2-S355 JR Round Bar	90				49.94	*			
BS EN10025-2-S355 JR Round Bar	95				55.64	*			
BS EN10025-2-S355 JR Round Bar	100				61.65	*			
BS EN10025-2-S355 JR Round Bar	103				65.41	*			
Reinforcing HT Round Bar	6				0.22	*	X		
Reinforcing HT Round Bar	8				0.40	*	X		
Reinforcing HT Round Bar	10				0.62		X		
Reinforcing HT Round Bar	12				0.89		X		X
Reinforcing HT Round Bar	16				1.58				X
Reinforcing HT Round Bar	20				2.47				X
Reinforcing HT Round Bar	25				3.85				X
Reinforcing HT Round Bar	32				6.31	*			
Reinforcing HT Round Bar	40				9.86	*			
Mild Steel Square Bar	8				0.50	*	Discontinued		
Mild Steel Square Bar	10				0.79		X		
Mild Steel Square Bar	12				1.13		X		
Mild Steel Square Bar	16				2.01		X		
Mild Steel Square Bar	20				3.14		X		
Mild Steel Square Bar	35				9.62	*			
Mild Steel Square Bar	40				12.60		X		
Mild Steel Square Bar	45				15.90	*			
Mild Steel Square Bar	50				19.60		X		
BS EN10025-2-S355 JR Square Bar	55				23.80	*			
BS EN10025-2-S355 JR Square Bar	60				28.30		X		
BS EN10025-2-S355 JR Square Bar	65				33.20	*			
BS EN10025-2-S355 JR Square Bar	70				38.50		X		
BS EN10025-2-S355 JR Square Bar	75				44.20		X		
BS EN10025-2-S355 JR Square Bar	100				78.50				
BS EN10025-2-S355 JR Square Bar	105				86.60	*			
BS EN10025-2-S355 JR Square Bar	150				177.00	*			
Drilled Rails	15				14.91			7.5m	
Drilled Rails	22				22.54			9m	
Drilled Rails	30				30.15			9m	
Drilled Rails	40				40.30	*			
Drilled Rails	48				47.60	*			
Drilled Rails	57				57.40	*			



PLATES

DESCRIPTION	DIMENSIONS					Kg	
Mild Steel Plates	2500	x	1200	x	4.5	105.98	
Mild Steel Plates	3000	x	1500	x	4.5	158.96	
Mild Steel Plates	4000	x	1850	x	4.5	261.41	X
Mild Steel Plates	4000	x	2000	x	4.5	282.60	
Mild Steel Plates	2500	x	1200	x	5	117.75	
Mild Steel Plates	3000	x	1500	x	5	176.63	
Mild Steel Plates	4000	x	1800	x	5	282.60	X
Mild Steel Plates	4000	x	2000	x	5	314.00	
Mild Steel Plates	8000	x	2000	x	5	628.00	*
Mild Steel Plates	10000	x	2400	x	5	942.00	*
Mild Steel Plates	2500	x	1200	x	6	141.30	
Mild Steel Plates	3000	x	1500	x	6	211.95	
Mild Steel Plates	4000	x	1800	x	6	339.12	X
Mild Steel Plates	4000	x	2000	x	6	376.80	
Mild Steel Plates	8000	x	2000	x	6	753.60	*
Mild Steel Plates	10000	x	2400	x	6	1130.40	*
Mild Steel Plates	2500	x	1200	x	8	188.40	
Mild Steel Plates	3000	x	1500	x	8	282.60	*
Mild Steel Plates	4000	x	1800	x	8	452.16	X
Mild Steel Plates	4000	x	2000	x	8	502.40	
Mild Steel Plates	8000	x	2000	x	8	1004.80	*
Mild Steel Plates	10000	x	2400	x	8	1507.20	*
Mild Steel Plates	2500	x	1200	x	10	235.50	
Mild Steel Plates	3000	x	1500	x	10	353.25	*
Mild Steel Plates	4000	x	1800	x	10	565.20	X
Mild Steel Plates	4000	x	2000	x	10	628.00	
Mild Steel Plates	8000	x	2000	x	10	1256.00	*
Mild Steel Plates	10000	x	2400	x	10	1884.00	*
Mild Steel Plates	2500	x	1200	x	12	282.60	
Mild Steel Plates	3000	x	1500	x	12	423.90	*
Mild Steel Plates	4000	x	1800	x	12	678.24	X
Mild Steel Plates	4000	x	2000	x	12	753.60	
Mild Steel Plates	8000	x	2000	x	12	1507.20	*
Mild Steel Plates	10000	x	2400	x	12	2260.80	*
Mild Steel Plates	2500	x	1200	x	16	376.80	
Mild Steel Plates	3000	x	1500	x	16	565.20	
Mild Steel Plates	4000	x	2000	x	16	1004.80	
Mild Steel Plates	10000	x	2400	x	16	3014.40	*
Mild Steel Plates	2500	x	1200	x	20	471.00	
Mild Steel Plates	3000	x	1500	x	20	706.50	*
Mild Steel Plates	4000	x	2000	x	20	1256.00	*
Mild Steel Plates	10000	x	2400	x	20	3768.00	*
Mild Steel Plates	2500	x	1200	x	25	588.75	
Mild Steel Plates	3000	x	1500	x	25	883.13	*
Mild Steel Plates	4000	x	2000	x	25	1570.00	*
Mild Steel Plates	8000	x	2000	x	25	3140.00	*
Mild Steel Plates	10000	x	2400	x	25	4710.00	*
151/161 - 430A Boiler Plates	10000	x	2400	x	5	942.00	
151/161 - 430A Boiler Plates	13000	x	2400	x	5	1224.60	*

PLATES



DESCRIPTION	DIMENSIONS				Kg		
151/161 - 430A Boiler Plates	10000	x	2400	x	6	1130.40	
151/161 - 430A Boiler Plates	13000	x	2400	x	6	1469.52	*
151/161 - 430A Boiler Plates	12000	x	3000	x	6	1695.60	
151/161 - 430A Boiler Plates	10000	x	2400	x	8	1507.20	
151/161 - 430A Boiler Plates	13000	x	2400	x	8	1959.36	*
151/161 - 430A Boiler Plates	12000	x	3000	x	8	2260.80	
151/161 - 430A Boiler Plates	10000	x	2400	x	10	1884.00	
151/161 - 430A Boiler Plates	13000	x	2400	x	10	2449.20	*
151/161 - 430A Boiler Plates	12000	x	3000	x	10	2826.00	
151/161 - 430A Boiler Plates	10000	x	2400	x	12	2260.80	
151/161 - 430A Boiler Plates	13000	x	2400	x	12	2939.04	*
151/161 - 430A Boiler Plates	12000	x	3000	x	12	3391.20	
151/161 - 430A Boiler Plates	10000	x	2400	x	16	3014.40	
151/161 - 430A Boiler Plates	13000	x	2400	x	16	3918.72	*
151/161 - 430A Boiler Plates	12000	x	3000	x	16	4521.60	
151/161 - 430A Boiler Plates	10000	x	2400	x	20	3768.00	
151/161 - 430A Boiler Plates	13000	x	2400	x	20	4898.40	*
151/161 - 430A Boiler Plates	12000	x	3000	x	20	5652.00	
151/161 - 430A Boiler Plates	10000	x	2400	x	22	4144.80	*
151/161 - 430A Boiler Plates	10000	x	2400	x	25	4710.00	
151/161 - 430A Boiler Plates	10000	x	2400	x	30	5652.00	
151/161 - 430A Boiler Plates	4000	x	2000	x	32	2009.60	*
151/161 - 430A Boiler Plates	10000	x	2400	x	32	6028.80	*
151/161 - 430A Boiler Plates	6000	x	2400	x	35	3956.40	*
151/161 - 430A Boiler Plates	6000	x	2400	x	38	4295.52	*
151/161 - 430A Boiler Plates	6000	x	2400	x	40	4521.60	
151/161 - 430A Boiler Plates (see note below)	6000	x	2400	x	45	5086.80	@/*
151/161 - 430A Boiler Plates (see note below)	4000	x	2000	x	50	3140.00	@/*
151/161 - 430A Boiler Plates (see note below)	6000	x	2400	x	50	5652.00	@
151/161 - 430A Boiler Plates (see note below)	4000	x	2000	x	60	3768.00	@/*
151/161 - 430A Boiler Plates (see note below)	6000	x	2400	x	60	6782.40	@/*
151/161 - 430A Boiler Plates (see note below)	4000	x	2000	x	65	4082.00	@/*
151/161 - 430A Boiler Plates (see note below)	4000	x	2400	x	65	4898.40	@/*
151/161 - 430A Boiler Plates (see note below)	4000	x	2000	x	70	4396.00	@/*
151/161 - 430A Boiler Plates (see note below)	4000	x	2400	x	70	5275.20	@/*
151/161 - 430A Boiler Plates (see note below)	4000	x	2000	x	75	4710.00	@/*
151/161 - 430A Boiler Plates (see note below)	4000	x	2400	x	75	5652.00	@/*
151/161 - 430A Boiler Plates (see note below)	4000	x	2000	x	80	5024.00	@/*
SS10/200 (Bennox) Hard wearing Plates	2500	x	1200	x	3	72.35	
SS10/200 (Bennox) Hard wearing Plates	2500	x	1200	x	5	117.75	*
SS10/200 (Bennox) Hard wearing Plates	4000	x	2000	x	5	314.00	*
SS10/200 (Bennox) Hard wearing Plates	2500	x	1200	x	6	141.30	
SS10/200 (Bennox) Hard wearing Plates	4000	x	2000	x	6	376.80	*
SS10/200 (Bennox) Hard wearing Plates	2500	x	1200	x	8	188.40	*
SS10/200 (Bennox) Hard wearing Plates	4000	x	2000	x	8	502.40	*
SS10/200 (Bennox) Hard wearing Plates	2500	x	1200	x	10	235.50	
SS10/200 (Bennox) Hard wearing Plates	4000	x	2000	x	10	628.00	
SS10/200 (Bennox) Hard wearing Plates	2500	x	1200	x	12	282.60	
SS10/200 (Bennox) Hard wearing Plates	4000	x	2000	x	12	753.60	

PLATES



DESCRIPTION	DIMENSIONS				Kg		
SS10/200 (Bennox) Hard wearing Plates	2500	x	1200	x	16	376.80	
SS10/200 (Bennox) Hard wearing Plates	4000	x	2000	x	16	1004.80	
SS10/200 (Bennox) Hard wearing Plates	2500	x	1200	x	20	471.00	
SS10/200 (Bennox) Hard wearing Plates	4000	x	2000	x	20	1256.00	
SS10/200 (Bennox) Hard wearing Plates	2500	x	1200	x	25	588.75	
SS10/200 (Bennox) Hard wearing Plates	4000	x	2000	x	25	1570.00	
SS10/200 (Bennox) Hard wearing Plates	2500	x	1200	x	32	753.60	*
SS10/200 (Bennox) Hard wearing Plates	4000	x	2000	x	32	2009.60	*
SS10/200 (Bennox) Hard wearing Plates	2500	x	1200	x	35	824.25	*
SS10/200 (Bennox) Hard wearing Plates	2500	x	1200	x	40	942.00	*
SS10/200 (Bennox) Hard wearing Plates	4000	x	2000	x	40	2512.00	
SS10/200 (Bennox) Hard wearing Plates	2500	x	1200	x	45	1059.75	*
SS10/200 (Bennox) Hard wearing Plates	2500	x	1200	x	50	1177.50	*
SS10/200 (Bennox) Hard wearing Plates	4000	x	2000	x	50	3140.00	*
Corrosion Resistant Plate (WR50B1 / Corten)	2500	x	1225	x	1.6	39.39	*
Corrosion Resistant Plate (WR50B1 / Corten)	2500	x	1225	x	2	49.24	*
Corrosion Resistant Plate (WR50B1 / Corten)	2500	x	1200	x	3	72.35	
Corrosion Resistant Plate (WR50B1 / Corten)	2500	x	1200	x	4	96.47	*
Corrosion Resistant Plate (WR50B1 / Corten)	2500	x	1200	x	5	117.75	
Corrosion Resistant Plate (WR50B1 / Corten)	4000	x	1800	x	5	282.60	*
Corrosion Resistant Plate (WR50B1 / Corten)	4000	x	2000	x	5	314.00	
Corrosion Resistant Plate (WR50B1 / Corten)	10000	x	2400	x	5	942.00	*
Corrosion Resistant Plate (WR50B1 / Corten)	2500	x	1200	x	6	141.30	
Corrosion Resistant Plate (WR50B1 / Corten)	4000	x	1800	x	6	339.12	*
Corrosion Resistant Plate (WR50B1 / Corten)	4000	x	2000	x	6	376.80	
Corrosion Resistant Plate (WR50B1 / Corten)	10000	x	2400	x	6	1130.40	*
Corrosion Resistant Plate (WR50B1 / Corten)	2500	x	1200	x	8	188.40	*
Corrosion Resistant Plate (WR50B1 / Corten)	4000	x	2000	x	8	502.40	
Corrosion Resistant Plate (WR50B1 / Corten)	2500	x	1200	x	10	235.50	
Corrosion Resistant Plate (WR50B1 / Corten)	4000	x	2000	x	10	628.00	
Corrosion Resistant Plate (WR50B1 / Corten)	2500	x	1200	x	12	282.60	*
Corrosion Resistant Plate (WR50B1 / Corten)	4000	x	2000	x	12	753.60	*
Corrosion Resistant Plate (WR50B1 / Corten)	2500	x	1200	x	16	376.80	*
Corrosion Resistant Plate (WR50B1 / Corten)	4000	x	2000	x	16	1004.80	*
Corrosion Resistant Plate (WR50B1 / Corten)	2500	x	1200	x	20	471.00	*
Corrosion Resistant Plate (WR50B1 / Corten)	4000	x	2000	x	20	1256.00	*
Mild Steel Vastrap Plates	2500	x	1200	x	3.0-4.6	78.00	
Mild Steel Vastrap Plates	2500	x	1200	x	4.5-6.1	113.34	
Mild Steel Vastrap Plates	4000	x	1200	x	4.5-6.1	181.34	
Mild Steel Vastrap Plates	8000	x	1200	x	4.5-6.1	362.69	
Mild Steel Vastrap Plates	2500	x	1200	x	6.0-7.6	148.65	
Mild Steel Vastrap Plates	4000	x	1200	x	6.0-7.6	237.84	
Mild Steel Vastrap Plates	8000	x	1200	x	6.0-7.6	475.68	
Mild Steel Vastrap Plates	2500	x	1200	x	8.0-9.6	195.75	
Mild Steel Vastrap Plates	4000	x	1200	x	8.0-9.6	313.20	
Mild Steel Vastrap Plates	8000	x	1200	x	8.0-9.6	626.40	
EN 10025 S 355 JR-AR	2500	x	1200	x	4.5	105.98	X
EN 10025 S 355 JR-AR	3000	x	1500	x	4.5	158.96	*\$
EN 10025 S 355 JR-AR	4000	x	1800	x	4.5	254.34	X



PLATES

DESCRIPTION	DIMENSIONS				Kg		
EN 10025 S 355 JR-AR	4000	x	2000	x	4.5	282.60	*\$
EN 10025 S 355 JR-AR	2500	x	1200	x	5	117.75	
EN 10025 S 355 JR-AR	3000	x	1500	x	5	176.63	*\$
EN 10025 S 355 JR-AR	4000	x	1825	x	5	286.53	X
EN 10025 S 355 JR-AR	4000	x	2000	x	5	314.00	*\$
EN 10025 S 355 JR-AR	8000	x	2000	x	5	628.00	*\$
EN 10025 S 355 JR-AR	6000	x	2400	x	5	565.20	*\$
EN 10025 S 355 JR-AR	10000	x	2400	x	5	942.00	
EN 10025 S 355 JR-AR	2500	x	1200	x	6	141.30	
EN 10025 S 355 JR-AR	3000	x	1500	x	6	211.95	
EN 10025 S 355 JR-AR	4000	x	1800	x	6	339.12	X
EN 10025 S 355 JR-AR	5700	x	1800	x	6	483.25	*\$
EN 10025 S 355 JR-AR	7300	x	1800	x	6	618.89	*\$
EN 10025 S 355 JR-AR	9035	x	1800	x	6	765.99	*\$
EN 10025 S 355 JR-AR	4000	x	2000	x	6	376.80	*\$
EN 10025 S 355 JR-AR	6000	x	2000	x	6	565.20	*\$
EN 10025 S 355 JR-AR	8000	x	2000	x	6	753.60	*\$
EN 10025 S 355 JR-AR	2400	x	2400	x	6	271.30	*\$
EN 10025 S 355 JR-AR	6000	x	2400	x	6	678.24	*\$
EN 10025 S 355 JR-AR	10000	x	2400	x	6	1130.40	
EN 10025 S 355 JR-AR	13000	x	2400	x	6	1469.52	*\$
EN 10025 S 355 JR-AR	12000	x	3000	x	6	1695.60	*
EN 10025 S 355 JR-AR	2500	x	1200	x	8	188.40	
EN 10025 S 355 JR-AR	3000	x	1500	x	8	282.60	
EN 10025 S 355 JR-AR	4000	x	1800	x	8	452.16	X
EN 10025 S 355 JR-AR	4000	x	2000	x	8	502.40	*\$
EN 10025 S 355 JR-AR	4500	x	2000	x	8	565.20	*\$
EN 10025 S 355 JR-AR	8000	x	2000	x	8	1004.80	*\$
EN 10025 S 355 JR-AR	4500	x	2400	x	8	678.24	*\$
EN 10025 S 355 JR-AR	6000	x	2400	x	8	904.32	*\$
EN 10025 S 355 JR-AR	10000	x	2400	x	8	1507.20	
EN 10025 S 355 JR-AR	13000	x	2400	x	8	1959.36	*\$
EN 10025 S 355 JR-AR	12000	x	3000	x	8	2260.80	*\$
EN 10025 S 355 JR-AR	2500	x	1200	x	10	235.50	
EN 10025 S 355 JR-AR	3000	x	1500	x	10	353.25	
EN 10025 S 355 JR-AR	4000	x	1800	x	10	565.20	X
EN 10025 S 355 JR-AR	4000	x	2000	x	10	628.00	*\$
EN 10025 S 355 JR-AR	6000	x	2000	x	10	942.00	*\$
EN 10025 S 355 JR-AR	8000	x	2000	x	10	1256.00	*\$
EN 10025 S 355 JR-AR	6000	x	2400	x	10	1130.40	*\$
EN 10025 S 355 JR-AR	10000	x	2400	x	10	1884.00	
EN 10025 S 355 JR-AR	13000	x	2400	x	10	2449.20	*\$
EN 10025 S 355 JR-AR	12000	x	3000	x	10	2826.00	*\$
EN 10025 S 355 JR-AR	2500	x	1200	x	12	282.60	
EN 10025 S 355 JR-AR	3000	x	1500	x	12	423.90	*\$
EN 10025 S 355 JR-AR	4000	x	1800	x	12	678.24	X
EN 10025 S 355 JR-AR	4000	x	2000	x	12	753.60	*\$
EN 10025 S 355 JR-AR	6000	x	2000	x	12	1130.40	*\$
EN 10025 S 355 JR-AR	8000	x	2000	x	12	1507.20	*\$

PLATES



DESCRIPTION	DIMENSIONS					Kg	
EN 10025 S 355 JR-AR	10000	x	2400	x	12	2260.80	
EN 10025 S 355 JR-AR	13000	x	2400	x	12	2939.04	*\$
EN 10025 S 355 JR-AR	12000	x	3000	x	12	3391.20	*\$
EN 10025 S 355 JR-AR	2500	x	1200	x	16	376.80	*
EN 10025 S 355 JR-AR	3000	x	1500	x	16	565.20	*\$
EN 10025 S 355 JR-AR	4000	x	2000	x	16	1004.80	*\$
EN 10025 S 355 JR-AR	6000	x	2000	x	16	1507.20	*\$
EN 10025 S 355 JR-AR	8000	x	2000	x	16	2009.60	*\$
EN 10025 S 355 JR-AR	10000	x	2400	x	16	3014.40	
EN 10025 S 355 JR-AR	13000	x	2400	x	16	3918.72	X
EN 10025 S 355 JR-AR	12000	x	3000	x	16	4521.60	X
EN 10025 S 355 JR-AR	2500	x	1200	x	20	471.00	*
EN 10025 S 355 JR-AR	3000	x	1500	x	20	706.50	*\$
EN 10025 S 355 JR-AR	4000	x	2000	x	20	1256.00	*\$
EN 10025 S 355 JR-AR	8000	x	2000	x	20	2512.00	*\$
EN 10025 S 355 JR-AR	10000	x	2400	x	20	3768.00	
EN 10025 S 355 JR-AR	13000	x	2400	x	20	4898.40	X
EN 10025 S 355 JR-AR	12000	x	3000	x	20	5652.00	X
EN 10025 S 355 JR-AR	2500	x	1200	x	25	588.75	*
EN 10025 S 355 JR-AR	3000	x	1500	x	25	883.13	*\$
EN 10025 S 355 JR-AR	4000	x	2000	x	25	1570.00	*\$
EN 10025 S 355 JR-AR	8000	x	2000	x	25	3140.00	*\$
EN 10025 S 355 JR-AR	10000	x	2400	x	25	4710.00	
EN 10025 S 355 JR-AR	13000	x	2400	x	25	6123.00	X
EN 10025 S 355 JR-AR	12000	x	3000	x	25	7065.00	X
EN 10025 S 355 JR-AR	2500	x	1200	x	30	706.50	*\$
EN 10025 S 355 JR-AR	3000	x	1500	x	30	1059.75	*\$
EN 10025 S 355 JR-AR	4000	x	2000	x	30	1884.00	*\$
EN 10025 S 355 JR-AR	6000	x	2400	x	30	3391.20	*\$
EN 10025 S 355 JR-AR	10000	x	2400	x	30	5652.00	
EN 10025 S 355 JR-AR	13000	x	2400	x	30	7347.60	X
EN 10025 S 355 JR-AR	2500	x	1200	x	32	753.60	*\$
EN 10025 S 355 JR-AR	3000	x	1500	x	32	1130.40	*\$
EN 10025 S 355 JR-AR	4000	x	2000	x	32	2009.60	*\$
EN 10025 S 355 JR-AR	10000	x	2400	x	32	6028.80	*\$
EN 10025 S 355 JR-AR	13000	x	2400	x	32	7837.44	*\$
EN 10025 S 355 JR-AR	2500	x	1200	x	35	824.25	*\$
EN 10025 S 355 JR-AR	3000	x	1500	x	35	1236.38	*\$
EN 10025 S 355 JR-AR	4000	x	2000	x	35	2198.00	*\$
EN 10025 S 355 JR-AR	6000	x	2400	x	35	3956.40	*\$
EN 10025 S 355 JR-AR	10000	x	2400	x	35	6594.00	
EN 10025 S 355 JR-AR	13000	x	2400	x	35	8572.20	X
EN 10025 S 355 JR-AR	2500	x	1200	x	38	894.90	*\$
EN 10025 S 355 JR-AR	3000	x	1500	x	38	1342.35	*\$
EN 10025 S 355 JR-AR	4000	x	2000	x	38	2386.40	*\$
EN 10025 S 355 JR-AR	6000	x	2400	x	38	4295.52	*\$
EN 10025 S 355 JR-AR	10000	x	2400	x	38	7159.20	*\$
EN 10025 S 355 JR-AR	2500	x	1200	x	40	942.00	*\$
EN 10025 S 355 JR-AR	3000	x	1500	x	40	1413.00	*\$

PLATES



DESCRIPTION	DIMENSIONS				Kg		
EN 10025 S 355 JR-AR	4000	x	2000	x	40	2512.00	*\$
EN 10025 S 355 JR-AR	6000	x	2400	x	40	4521.60	*\$
EN 10025 S 355 JR-AR	10000	x	2400	x	40	7536.00	
EN 10025 S 355 JR-AR	13000	x	2400	x	40	9796.80	X
EN 10025 S 355 JR-AR	2500	x	1200	x	45	1059.75	*\$
EN 10025 S 355 JR-AR	3000	x	1500	x	45	1589.63	*\$
EN 10025 S 355 JR-AR	4000	x	2000	x	45	2826.00	*\$
EN 10025 S 355 JR-AR	6000	x	2400	x	45	5086.80	*\$
EN 10025 S 355 JR-AR	10000	x	2400	x	45	8478.00	*\$
EN 10025 S 355 JR-AR	2500	x	1200	x	50	1177.50	*\$
EN 10025 S 355 JR-AR	3000	x	1500	x	50	1766.25	*\$
EN 10025 S 355 JR-AR	4000	x	2000	x	50	3140.00	*\$
EN 10025 S 355 JR-AR	6000	x	2400	x	50	5652.00	
EN 10025 S 355 JR-AR	10000	x	2400	x	50	9420.00	X
EN 10025 S 355 JR-AR	2500	x	1200	x	60	1413.00	*\$
EN 10025 S 355 JR-AR	3000	x	1500	x	60	2119.50	*\$
EN 10025 S 355 JR-AR	4000	x	2000	x	60	3768.00	*\$
EN 10025 S 355 JR-AR	2500	x	1200	x	65	1530.75	*\$
EN 10025 S 355 JR-AR	4000	x	2000	x	65	4082.00	*\$
EN 10025 S 355 JR-AR	2500	x	1200	x	70	1648.50	*\$
EN 10025 S 355 JR-AR	4000	x	2000	x	70	4396.00	*\$
EN 10025 S 355 JR-AR	2500	x	1200	x	75	1766.25	*\$
EN 10025 S 355 JR-AR	2500	x	1200	x	80	1884.00	*\$
EN 10025 S 355 JR-AR	4000	x	2000	x	80	5024.00	*\$
EN 10025 S 355 JO-AR	10000	x	2400	x	5	942.00	X
EN 10025 S 355 JO-AR	10000	x	2400	x	6	1130.40	
EN 10025 S 355 JO-AR	10000	x	2400	x	8	1507.20	
EN 10025 S 355 JO-AR	10000	x	2400	x	10	1884.00	
EN 10025 S 355 JO-AR	13000	x	2400	x	10	2449.20	\$
EN 10025 S 355 JO-AR	10000	x	2400	x	12	2260.80	
EN 10025 S 355 JO-AR	10000	x	2400	x	16	3014.40	X
EN 10025 S 355 JO-AR	13000	x	2400	x	16	3918.72	\$
EN 10025 S 355 JO-AR	10000	x	2400	x	20	3768.00	X
EN 10025 S 355 JO-AR	13000	x	2400	x	20	4898.40	\$
EN 10025 S 355 JO-AR	12000	x	3000	x	20	5652.00	*
EN 10025 S 355 JO-AR	10000	x	2400	x	25	4710.00	X
EN 10025 S 355 JO-AR	13000	x	2400	x	25	6123.00	\$
EN 10025 S 355 JO-AR	12000	x	3000	x	25	7065.00	*
EN 10025 S 355 JO-AR	10000	x	2400	x	30	5652.00	X
EN 10025 S 355 JO-AR	13000	x	2400	x	30	7347.60	\$
EN 10025 S 355 JO-AR + S2	10000	x	2400	x	35	6594.00	*\$
EN 10025 S 355 JO-AR + S2	10000	x	2400	x	40	7536.00	*\$
EN 10025 S 355 JO-Norm	10000	x	2400	x	16	3014.40	
EN 10025 S 355 JO-Norm	10000	x	2400	x	20	3768.00	
EN 10025 S 355 JO-Norm	10000	x	2400	x	25	4710.00	
EN 10025 S 355 JO-Norm	10000	x	2400	x	30	5652.00	
EN 10025 S 355 JO-Norm	10000	x	2400	x	35	6594.00	
EN 10025 S 355 JO-Norm	10000	x	2400	x	40	7536.00	
EN 10025 S 355 JO-Norm	6000	x	2400	x	45	5086.80	

PLATES



DESCRIPTION	DIMENSIONS				Kg		
EN 10025 S 355 JO-Norm	6000	x	2400	x	50	5652.00	
EN 10025 S 355 JO-Norm	6000	x	2400	x	60	6782.40	
EN 10025 S 355 JR-AR + B1	10000	x	2400	x	8	1507.20	*
EN 10025 S 355 JR-AR + B1	10000	x	2400	x	10	1884.00	*
EN 10025 S 355 JR-AR + B1	10000	x	2400	x	12	2260.80	*
EN 10025 S 355 JR-AR + B1	10000	x	2400	x	16	3014.40	
EN 10025 S 355 JR-AR + B1	10000	x	2400	x	20	3768.00	
EN 10025 S 355 JR-AR + B1	13000	x	2400	x	25	6123.00	
EN 10025 S 355 JR-AR + B1	13000	x	2400	x	30	7347.60	
EN 10025 S 355 JR-AR + B1	10000	x	2400	x	35	6594.00	*
EN 10025 S 355 JR-AR + B1	10000	x	2400	x	40	7536.00	*
EN 10025 S 355 JR-AR + B1	4000	x	2000	x	80	5024.00	*
EN 10025 S 355 JR-AR + B1	4000	x	2000	x	90	5652.00	*
EN 10025 S 355 JO-Norm + S2	13000	x	2400	x	25	6123.00	*
EN 10025 S 355 JO-Norm + S2	13000	x	2400	x	30	7347.60	*
EN 10025 S 355 JO-Norm + S2	10000	x	2400	x	40	7536.00	*
Mild Steel HR Sheets	1850	x	925	x	1.6	22.01	
Mild Steel HR Sheets	2450	x	925	x	1.6	29.15	*
Mild Steel HR Sheets	3050	x	925	x	1.6	36.29	*
Mild Steel HR Sheets	1850	x	1225	x	1.6	29.15	*
Mild Steel HR Sheets	2450	x	1225	x	1.6	38.60	
Mild Steel HR Sheets	3050	x	1225	x	1.6	48.06	
Mild Steel HR Sheets	3650	x	1225	x	1.6	57.51	
Mild Steel HR Sheets	1850	x	925	x	2.0	27.51	
Mild Steel HR Sheets	2450	x	925	x	2.0	36.44	*
Mild Steel HR Sheets	3050	x	925	x	2.0	45.36	*
Mild Steel HR Sheets	1850	x	1225	x	2.0	36.44	*
Mild Steel HR Sheets	2450	x	1225	x	2.0	48.25	
Mild Steel HR Sheets	3050	x	1225	x	2.0	60.07	
Mild Steel HR Sheets	3650	x	1225	x	2.0	71.89	
Mild Steel HR Sheets	3000	x	1500	x	2.0	72.35	
Mild Steel HR Sheets	1850	x	925	x	2.5	34.39	*
Mild Steel HR Sheets	2450	x	925	x	2.5	45.55	*
Mild Steel HR Sheets	3050	x	925	x	2.5	56.70	*
Mild Steel HR Sheets	1850	x	1225	x	2.5	45.55	
Mild Steel HR Sheets	2450	x	1225	x	2.5	60.32	
Mild Steel HR Sheets	3050	x	1225	x	2.5	75.09	
Mild Steel HR Sheets	3650	x	1225	x	2.5	89.86	
Mild Steel HR Sheets	2450	x	1500	x	2.5	73.86	
Mild Steel HR Sheets	3000	x	1500	x	2.5	90.44	
Mild Steel HR Sheets	3650	x	1500	x	2.5	110.03	*
Mild Steel HR Sheets	1850	x	925	x	2.8	38.52	*
Mild Steel HR Sheets	2450	x	925	x	2.8	51.01	*
Mild Steel HR Sheets	3050	x	925	x	2.8	63.50	*
Mild Steel HR Sheets	1850	x	1225	x	2.8	51.01	*
Mild Steel HR Sheets	2450	x	1225	x	2.8	67.56	
Mild Steel HR Sheets	3050	x	1225	x	2.8	84.10	*
Mild Steel HR Sheets	3650	x	1225	x	2.8	100.64	*
Mild Steel HR Sheets	2450	x	1500	x	2.8	82.72	#/*



PLATES

DESCRIPTION	DIMENSIONS					Kg	
Mild Steel HR Sheets	3000	x	1500	x	2.8	101.29	#/*
Mild Steel HR Sheets	3650	x	1500	x	2.8	123.24	#/*
Mild Steel HR Sheets	2450	x	1800	x	2.8	99.27	#/*
Mild Steel HR Sheets	3000	x	1800	x	2.8	121.55	#/*
Mild Steel HR Sheets	3650	x	1800	x	2.8	147.89	#/*
Mild Steel HR Sheets	1850	x	925	x	3.0	41.27	
Mild Steel HR Sheets	2450	x	925	x	3.0	54.66	
Mild Steel HR Sheets	3050	x	925	x	3.0	68.04	*
Mild Steel HR Sheets	3650	x	925	x	3.0	81.43	*
Mild Steel HR Sheets	1850	x	1225	x	3.0	54.66	*
Mild Steel HR Sheets	2450	x	1225	x	3.0	72.38	
Mild Steel HR Sheets	3050	x	1225	x	3.0	90.11	
Mild Steel HR Sheets	3650	x	1225	x	3.0	107.83	
Mild Steel HR Sheets	2450	x	1500	x	3.0	88.63	
Mild Steel HR Sheets	3000	x	1500	x	3.0	108.53	
Mild Steel HR Sheets	3650	x	1500	x	3.0	132.04	*
Mild Steel HR Sheets	2450	x	1800	x	3.0	106.36	*
Mild Steel HR Sheets	3000	x	1800	x	3.0	130.23	*
Mild Steel HR Sheets	3650	x	1800	x	3.0	158.45	*
Mild Steel HR Sheets	4000	x	1800	x	3.0	173.64	
Mild Steel HR Sheets	5000	x	1800	x	3.0	217.05	*
Mild Steel HR Sheets	6000	x	1800	x	3.0	260.46	
Mild Steel HR Sheets	2450	x	1225	x	3.5	84.44	
Mild Steel HR Sheets	3000	x	1500	x	3.5	126.61	*
Mild Steel HR Sheets	1850	x	925	x	4.0	55.03	*
Mild Steel HR Sheets	2450	x	1225	x	4.0	96.51	
Mild Steel HR Sheets	3000	x	1500	x	4.0	144.70	
Mild Steel HR Sheets	4000	x	1800	x	4.0	231.52	
Mild Steel HR Sheets (Pickled & Oiled)	2450	x	1225	x	2.0	48.25	
Mild Steel HR Sheets (Pickled & Oiled)	2450	x	1225	x	2.5	60.32	
Mild Steel HR Sheets (Pickled & Oiled)	2450	x	1225	x	2.8	67.56	*
Mild Steel HR Sheets (Pickled & Oiled)	2450	x	1225	x	3.0	72.38	*
Mild Steel HR Sheets (Pickled & Oiled)	2450	x	1225	x	3.5	84.44	*
Mild Steel HR Sheets (Pickled & Oiled)	2450	x	1225	x	4.0	96.51	*
Cold Rolled Sheets	1850	x	925	x	0.5	6.88	*
Cold Rolled Sheets	2450	x	925	x	0.5	9.11	*
Cold Rolled Sheets	1850	x	1225	x	0.5	9.11	*
Cold Rolled Sheets	2450	x	1225	x	0.5	12.06	
Cold Rolled Sheets	1850	x	925	x	0.6	8.25	*
Cold Rolled Sheets	2450	x	925	x	0.6	10.93	*
Cold Rolled Sheets	1850	x	1225	x	0.6	10.93	*
Cold Rolled Sheets	2450	x	1225	x	0.6	14.48	
Cold Rolled Sheets	3050	x	1225	x	0.6	18.02	*
Cold Rolled Sheets	3650	x	1225	x	0.6	21.57	*
Cold Rolled Sheets	1850	x	925	x	0.7	9.63	*
Cold Rolled Sheets	2450	x	1225	x	0.7	16.89	
Cold Rolled Sheets	1850	x	925	x	0.8	11.01	
Cold Rolled Sheets	2450	x	925	x	0.8	14.57	*
Cold Rolled Sheets	1850	x	1225	x	0.8	14.57	*

PLATES



DESCRIPTION	DIMENSIONS					Kg	
Cold Rolled Sheets	2450	x	1225	x	0.8	19.30	
Cold Rolled Sheets	3050	x	1225	x	0.8	24.03	*
Cold Rolled Sheets	3650	x	1225	x	0.8	28.76	*
Cold Rolled Sheets	1850	x	925	x	0.9	12.38	*
Cold Rolled Sheets	2450	x	1225	x	0.9	21.71	*
Cold Rolled Sheets	1850	x	925	x	1.0	13.76	
Cold Rolled Sheets	2450	x	925	x	1.0	18.22	*
Cold Rolled Sheets	1850	x	1225	x	1.0	18.22	*
Cold Rolled Sheets	2450	x	1225	x	1.0	24.13	
Cold Rolled Sheets	3050	x	1225	x	1.0	30.04	
Cold Rolled Sheets	3650	x	1225	x	1.0	35.94	*
Cold Rolled Sheets	1850	x	925	x	1.2	16.51	
Cold Rolled Sheets	2450	x	925	x	1.2	21.86	*
Cold Rolled Sheets	1850	x	1225	x	1.2	21.86	*
Cold Rolled Sheets	2450	x	1225	x	1.2	28.95	
Cold Rolled Sheets	3050	x	1225	x	1.2	36.04	
Cold Rolled Sheets	3650	x	1225	x	1.2	43.13	*
Cold Rolled Sheets	1850	x	925	x	1.6	22.01	
Cold Rolled Sheets	2450	x	925	x	1.6	29.15	*
Cold Rolled Sheets	1850	x	1225	x	1.6	29.15	*
Cold Rolled Sheets	2450	x	1225	x	1.6	38.60	
Cold Rolled Sheets	3050	x	1225	x	1.6	48.06	
Cold Rolled Sheets	3650	x	1225	x	1.6	57.51	*
Cold Rolled Sheets	3000	x	1500	x	1.6	57.88	
Cold Rolled Sheets	1850	x	925	x	2.0	27.51	
Cold Rolled Sheets	2450	x	925	x	2.0	36.44	
Cold Rolled Sheets	1850	x	1225	x	2.0	36.44	
Cold Rolled Sheets	2450	x	1225	x	2.0	48.25	
Cold Rolled Sheets	3050	x	1225	x	2.0	60.07	
Cold Rolled Sheets	3650	x	1225	x	2.0	71.89	*
Cold Rolled Sheets	3000	x	1500	x	2.0	72.35	
Z275 Galvanised Sheets	1850	x	925	x	0.5	6.88	*
Z275 Galvanised Sheets	2450	x	925	x	0.5	9.11	*
Z275 Galvanised Sheets	1850	x	1225	x	0.5	9.11	*
Z275 Galvanised Sheets	2450	x	1225	x	0.5	12.06	
Z275 Galvanised Sheets	1850	x	925	x	0.58	7.98	
Z275 Galvanised Sheets	2450	x	925	x	0.58	10.57	*
Z275 Galvanised Sheets	1850	x	1225	x	0.58	10.57	*
Z275 Galvanised Sheets	2450	x	1225	x	0.58	13.99	
Z275 Galvanised Sheets	1850	x	925	x	0.8	11.01	
Z275 Galvanised Sheets	2450	x	925	x	0.8	14.57	
Z275 Galvanised Sheets	1850	x	1225	x	0.8	14.57	*
Z275 Galvanised Sheets	2450	x	1225	x	0.8	19.30	
Z275 Galvanised Sheets	1850	x	925	x	1.0	13.76	*
Z275 Galvanised Sheets	2450	x	925	x	1.0	18.22	*
Z275 Galvanised Sheets	1850	x	1225	x	1.0	18.22	*
Z275 Galvanised Sheets	2450	x	1225	x	1.0	24.13	
Z275 Galvanised Sheets	1850	x	925	x	1.2	16.51	
Z275 Galvanised Sheets	2450	x	925	x	1.2	21.86	*



PLATES

DESCRIPTION	DIMENSIONS					Kg	
Z275 Galvanised Sheets	1850	x	1225	x	1.2	21.86	
Z275 Galvanised Sheets	2450	x	1225	x	1.2	28.95	
Z275 Galvanised Sheets	1850	x	925	x	1.6	22.01	*
Z275 Galvanised Sheets	2450	x	925	x	1.6	29.15	*
Z275 Galvanised Sheets	1850	x	1225	x	1.6	29.15	*
Z275 Galvanised Sheets	2450	x	1225	x	1.6	38.60	
Z275 Galvanised Sheets	1850	x	925	x	1.9	26.14	#
Z275 Galvanised Sheets	2450	x	925	x	1.9	34.61	#
Z275 Galvanised Sheets	1850	x	1225	x	1.9	34.61	*
Z275 Galvanised Sheets	2450	x	1225	x	1.9	45.84	
Z275 Galvanised Sheets	2450	x	1225	x	2.4	57.90	
Z275 Galvanised Sheets	2450	x	1225	x	3.0	72.38	
Galvanised Lock Forming Sheets	2450	x	1225	x	0.58	13.99	
Galvanised Lock Forming Sheets	2450	x	1225	x	0.8	19.30	
Galvanised Lock Forming Sheets	2450	x	1225	x	1.0	24.13	
Galvanised Lock Forming Sheets	2450	x	1225	x	1.2	28.95	*



REINFORCING MESH

WELDED REINFORCING MESH

Fabric	Apertures		Wire Diam		m2
Standard Ref	Mainmm	Crossmm	Mainmm	Cross mm	Kg
888	200	200	12.00	12.00	8.88
617	200	200	10.00	10.00	6.17
500	200	200	9.00	9.00	5.00
395	200	200	8.00	8.00	3.95
311	200	200	7.10	7.10	3.11
245	200	200	6.30	6.30	2.45
193	200	200	5.60	5.60	1.93
100	200	200	4.00	4.00	1.00

Non -Standards	Mainmm	Crossmm	Mainmm	Cross mm	Kg
156	100	100	3.55	3.55	1.56
226	100	300	5.60	4.00	2.26
200	100	100	4.00	4.00	2.00
289	100	200	5.60	5.60	2.89
278	100	300	6.30	4.00	2.78
341	100	200	6.30	5.60	3.41
433	100	200	7.10	6.30	4.33
517	100	200	8.00	6.30	5.17
746	200	200	11.00	11.00	7.46

Standard Ref	Mainmm	Crossmm	Mainmm	Cross mm	Kg /Sheet
244	50	50	3.15	3.15	7.06
396	50	50	4.00	4.00	11.4
616	50	50	5.00	5.00	17.74
367	50	25	3.15	3.15	10.95
594	50	25	4.00	4.00	17.11
924	50	25	5.00	5.00	26.61

Sheet size 1.2m x 2.4m

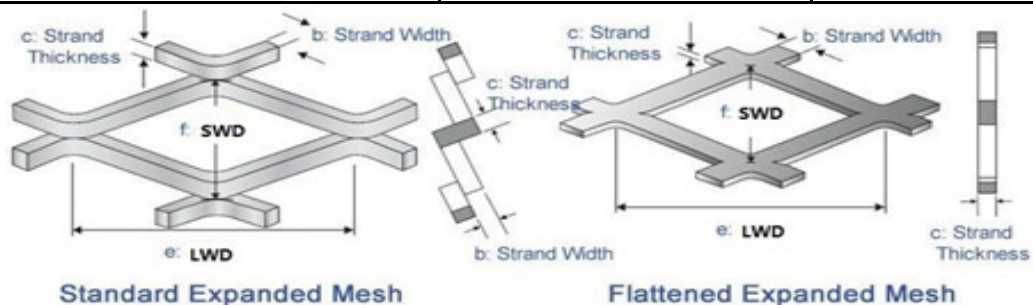
EXPANDED METAL

FLATEX

DESCRIPTION (2400 x 1200) Uncoated	SPECIFICATIONS	WEIGHT
Flatex 338/6311F	50/80/4.5/2.5mm	10.14
Flatex 341/6355H	30/80/4.5/2.5mm	16.89
Flatex 344/6320C	25/50/3.0/1.6mm	8.41
Flatex 345/6320K	25/50/10./3.0mm	54.44
Flatex 346/6320H	25/50/4.5/3.0mm	25.04
Flatex 346A/6320G	25/50/3.1/3.0mm	16.33
Flatex 348/6320E	25/50/4.5/2.5mm	20.27
Flatex 349/6320D	25/50/3.0/2.0mm	10.70
Flatex 351A/6318H	15/40/3.0/2.5mm	22.53
Flatex 352/6318F	15/40/3.0/1.6mm	14.01
Flatex 354/6317F	15/40/2.5/1.6mm	17.51
Flatex 358/6315F	10/30/3.0/1.6mm	21.01
Flatex 362/6280E	8/20/2.0/1.0mm	11.73
Flatex 372/6250D	5/10/1.2/1.0mm	11.26

MENTEX

DESCRIPTION (2400 x 1200) Uncoated	SPECIFICATIONS	WEIGHT
Mentex 118/315F	10/30/2.5/1.6mm	17.51
Mentex 130/280D	8/20/2.0/1.0mm	11.73
Mentex 143/250D	5/10/1.0/1.0mm	9.39
Mentex 151/230B	3/6/1.0/0.5mm	9.39
Mentex 30/330A	75/200/5.0/4.5mm	13.77
Mentex 300/310E	48/80/3.0/3.0mm	7.65
Mentex 304/320G	25/50/3.0/3.0mm	16.33
Mentex 309/320J	20./60/6.0/4.5mm	60.68
Mentex 38/484	40/140/6.0/4.5mm	30.34
Mentex 43/305B	40/115/6.0/4.5mm	30.34
Mentex 43A/305A	40/115/4.5/4.5mm	22.76
Mentex 5/489	35/120/10.0/6.0mm	72.24
Mentex 54/409E	50/100/3.0/3.0mm	8.17
Mentex 6/488	35/120/10.0/4.5mm	57.79
Mentex 63/355G	30/80/3.0/3.0mm	13.61
Mentex 7/487	35/120/8.0/4.5mm	46.23
Mentex 70/325A	20/60/6.0/4.5mm	60.68
Mentex 72/325G	20/60/3.0/3.0mm	20.41
Mentex 8/486	35/120/6.0/4.5mm	34.67
Mentex 80A/318H	15/40/3.0/2.5mm	22.53
Mentex 82/318F	15/40/2.5/1.6mm	11.67





BRAAI GRIDS & STAIRTREADS

BRAAI MESH

DESCRIPTION	SPECIFICATIONS	WEIGHT
Braai Mesh 450 x 600mm Unpainted	25/50/4.5/2.5mm	1.91
Braai Mesh 600 x 900mm Unpainted	25/50/4.5/2.5mm	3.82
Braai Mesh 450 x 600mm Electro Galvanised	25/50/4.5/2.5mm	2.02
Braai Mesh 600 x 900mm Electro Galvanised	25/50/4.5/2.5mm	4.04
Braai Mesh 450 x 600mm 3CR12	25/50/4.5/2.5mm	1.87
Braai Mesh 600 x 900mm 3CR12	25/50/4.5/2.5mm	3.73

FLAT TOP	SPECIFICATIONS	WEIGHT
Rectagrid Stairtread 25x4.5mm	600x205mm Bitumen Painted	4.26
Rectagrid Stairtread 25x4.5mm	600x205mm Galvanised	4.52
Rectagrid Stairtread 25x4.5mm	600x205mm Unpainted	4.26
Rectagrid Stairtread 25x4.5mm	600x245mm Bitumen Painted	5.21
Rectagrid Stairtread 25x4.5mm	600x245mm Galvanised	5.53
Rectagrid Stairtread 25x4.5mm	600x245mm Unpainted	5.21
Rectagrid Stairtread 25x4.5mm	750x205mm Bitumen Painted	4.91
Rectagrid Stairtread 25x4.5mm	750x205mm Galvanised	5.21
Rectagrid Stairtread 25x4.5mm	750x205mm Unpainted	4.91
Rectagrid Stairtread 25x4.5mm	750x245mm Bitumen Painted	5.84
Rectagrid Stairtread 25x4.5mm	750x245mm Galvanised	6.19
Rectagrid Stairtread 25x4.5mm	750x245mm Unpainted	5.84
Rectagrid Stairtread 30x4.5mm	900x245mm Bitumen Painted	7.41
Rectagrid Stairtread 30x4.5mm	900x245mm Galvanised	7.85
Rectagrid Stairtread 30x4.5mm	900x245mm Unpainted	7.41
Rectagrid Stairtread 30x4.5mm	1000x285mm Bitumen Painted	9.43
Rectagrid Stairtread 30x4.5mm	1000x285mm Galvanised	10.00
Rectagrid Stairtread 30x4.5mm	1000x285mm Unpainted	9.43

SERRATED	SPECIFICATIONS	WEIGHT
Serrated Rectagrid Stairtread	25x4.5mm 600x205mm Bitumen Painted	4.97
Serrated Rectagrid Stairtread	25x4.5mm 600x205mm Galvanised	5.27
Serrated Rectagrid Stairtread	25x4.5mm 600x205mm Unpainted	4.97
Serrated Rectagrid Stairtread	25x4.5mm 600x245mm Bitumen Painted	5.30
Serrated Rectagrid Stairtread	25x4.5mm 600x245mm Galvanised	5.62
Serrated Rectagrid Stairtread	25x4.5mm 600x245mm Unpainted	5.30
Serrated Rectagrid Stairtread	25x4.5mm 750x205mm Bitumen Painted	3.79
Serrated Rectagrid Stairtread	25x4.5mm 750x205mm Galvanised	4.01
Serrated Rectagrid Stairtread	25x4.5mm 750x205mm Unpainted	3.79
Serrated Rectagrid Stairtread	25x4.5mm 750x245mm Bitumen Painted	6.11
Serrated Rectagrid Stairtread	25x4.5mm 750x245mm Galvanised	6.19
Serrated Rectagrid Stairtread	25x4.5mm 750x245mm Unpainted	6.11
Serrated Rectagrid Stairtread	30x4.5mm 900x245mm Galvanised	8.61
Serrated Rectagrid Stairtread	30x4.5mm 900x245mm Bitumen Painted	8.79
Serrated Rectagrid Stairtread	30x4.5mm 900x245mm Unpainted	8.79